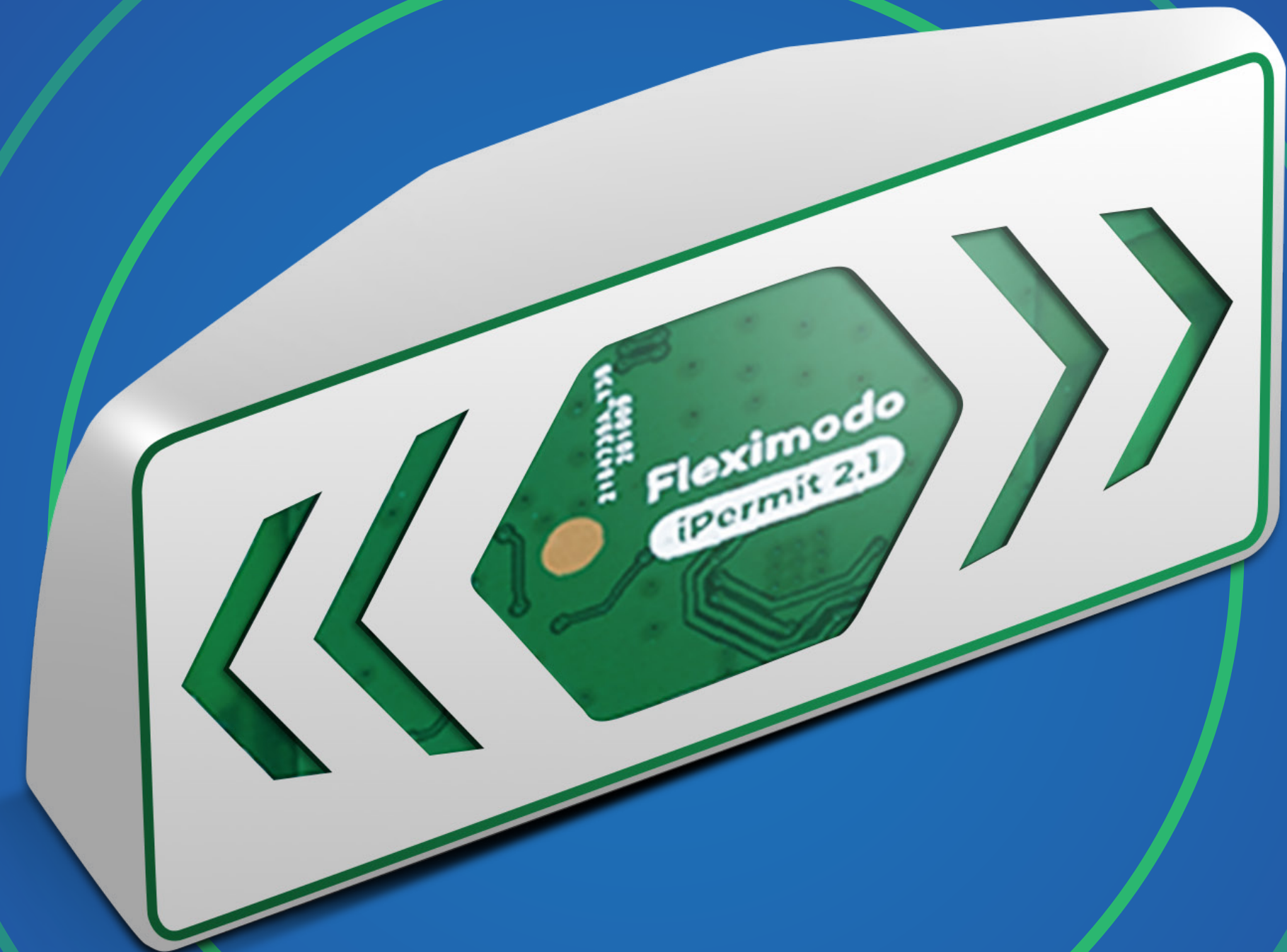




IoT Permit Card 2.1

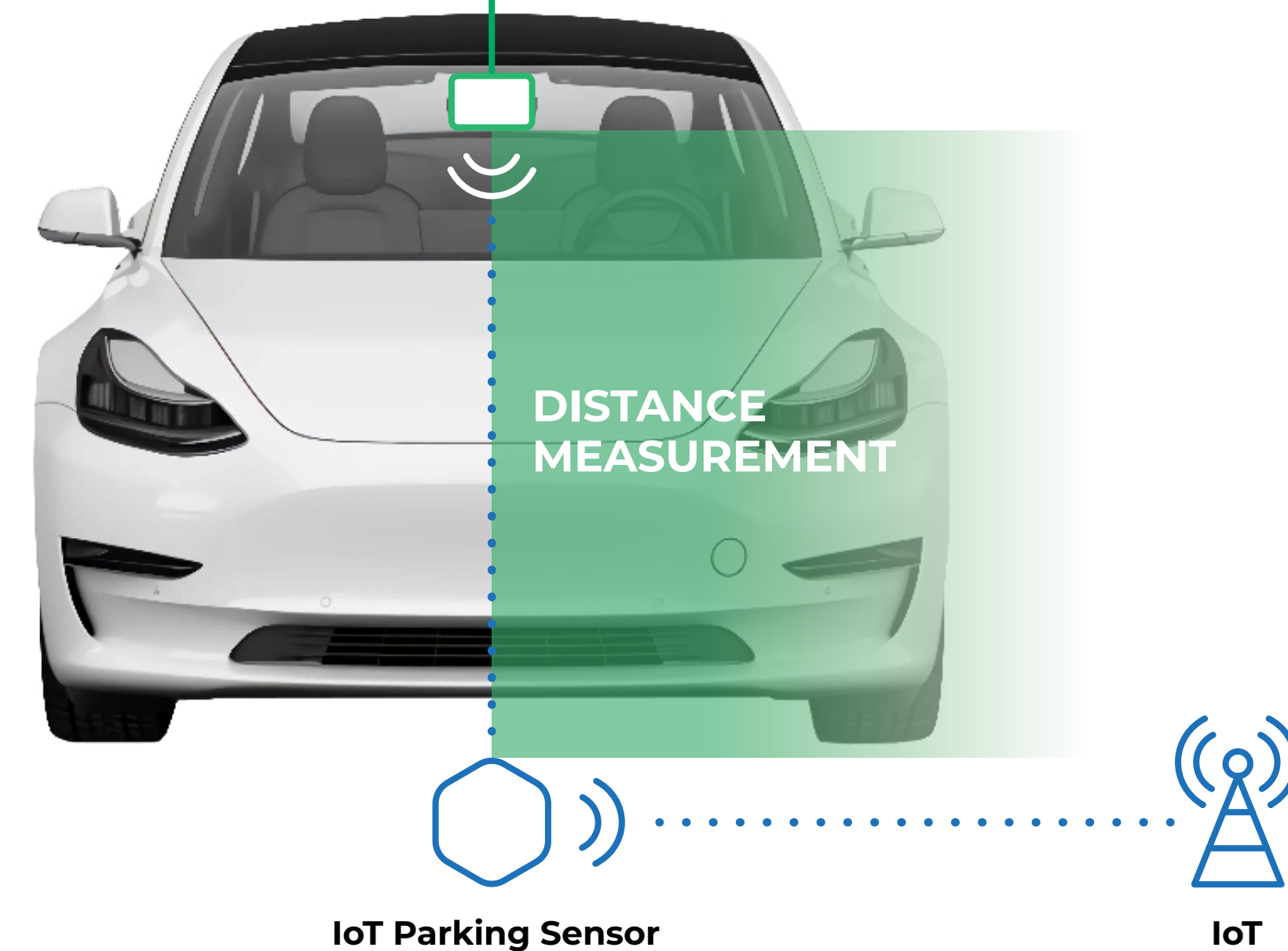


How it works

The IoT Permit Card gets reliably paired to the IoT sensor, and thanks to communication and distance measurement, it provides information about “who is parking where, and above what sensor.” Accuracy and robustness of the system are ensured thanks to double radio support.

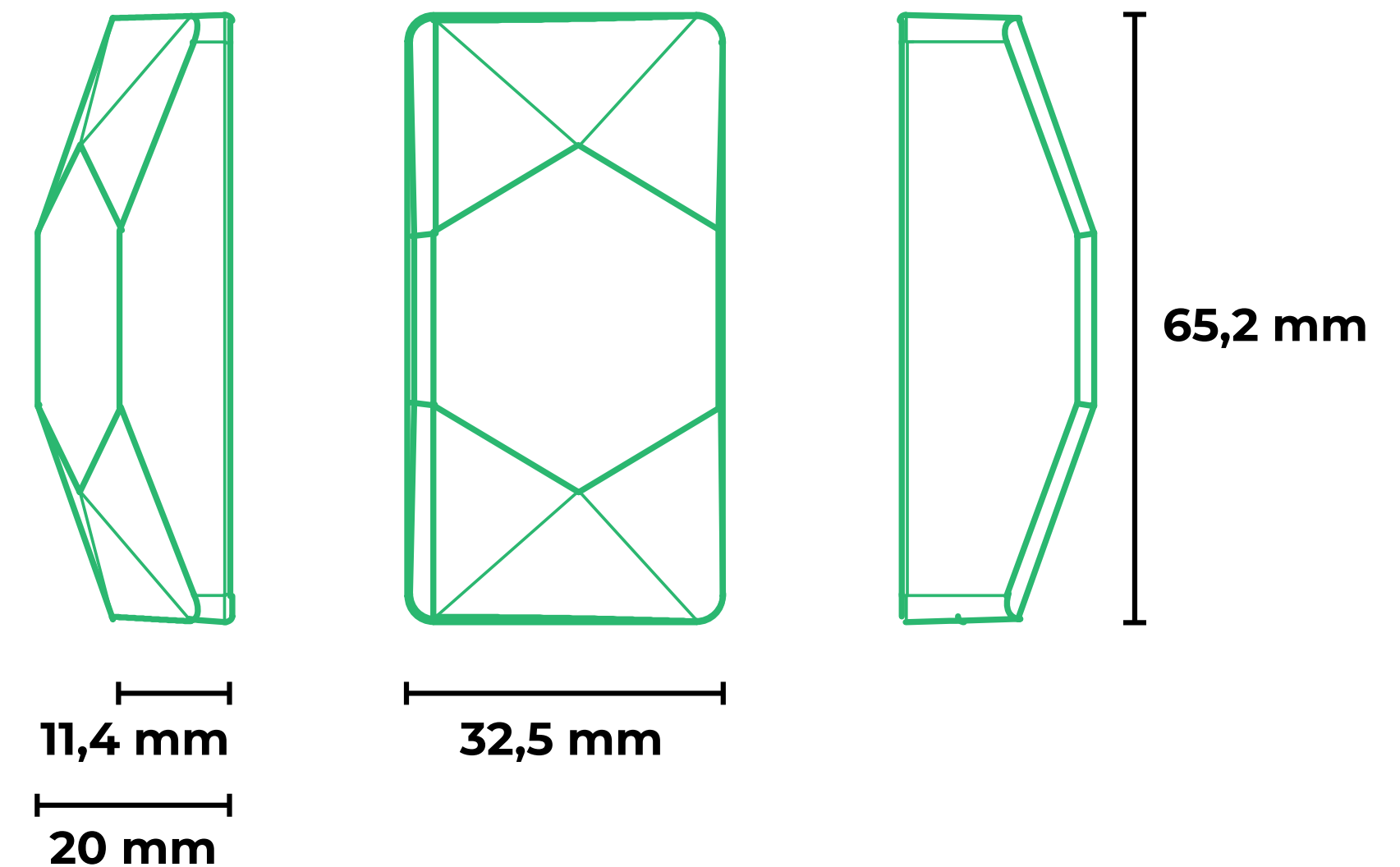


Installation in vehicle
Stuck on the windshield
behind the rearview mirror.



IoT Permit Card 2.1

Case color	Matte white
Dimensions	32,5 mm x 62,5 mm x 20 mm
Battery model	Li-SOCl2 battery 1200 mAh
Operation voltage	3,6 V
Transmission current	130 mA
Battery life	9,5 years
Communication	BLE, UWB
Transmission range	30 meters
Antenna	Own antenna design
Accessories	Sticker for installation
Net weight	20 g
Operating temperature	-40 to +75 °C
Ingress protection	IP67
Front side adjustability	Text, logo, etc.



Casing, features

Elegant casing with small dimensions with a double-sided sticker for seamless installation. The casing enables front side branding. The IoT Permit supports the following features:

Security

The IoT Permit is equipped with a security layer and protected against any cloning, and only Fleximodo IoT Permit is eligible to communicate to Fleximodo IoT Sensor.

Interchangeability resilience

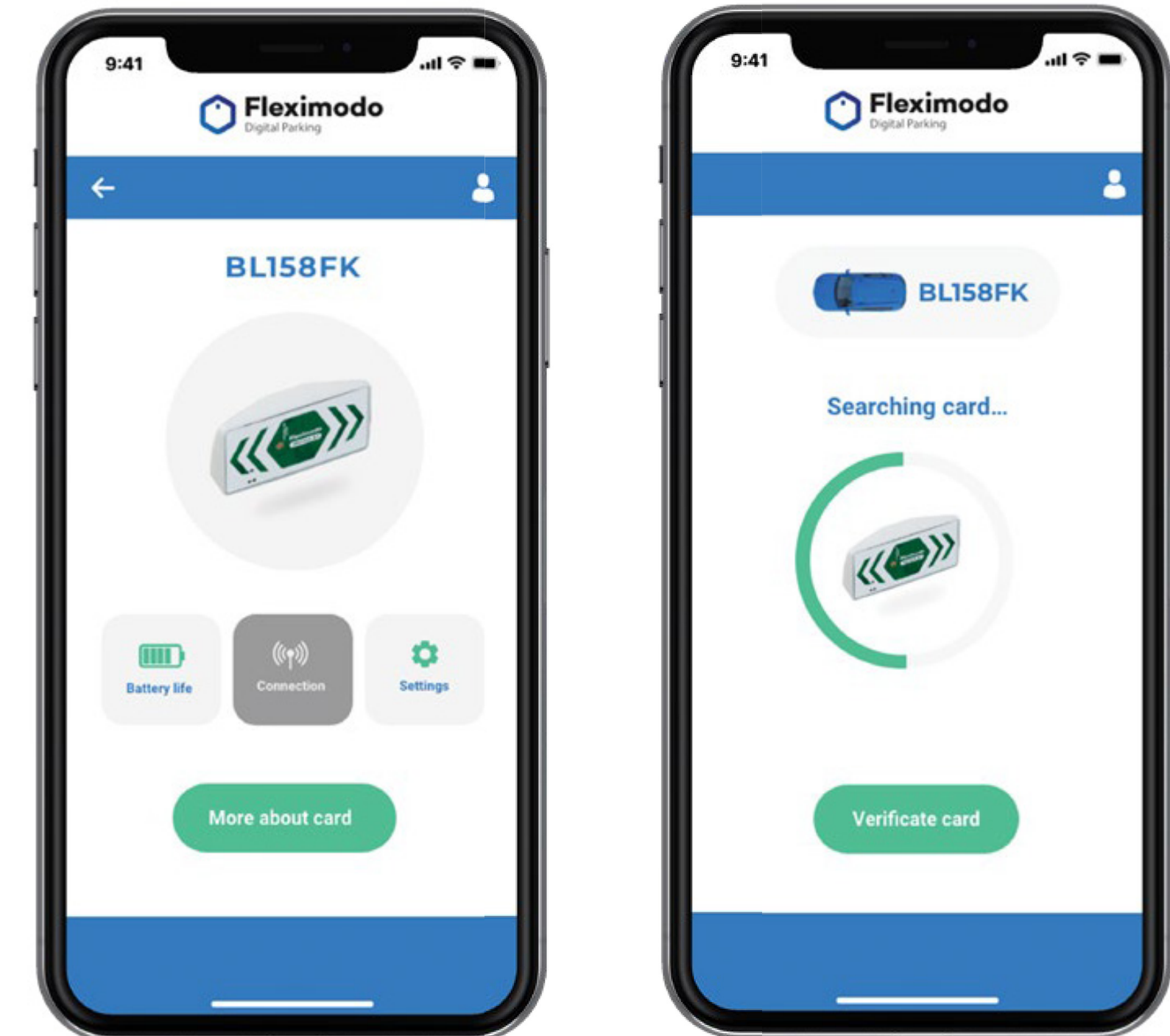
The IoT Permit is set consistently to avoid interchangeability thanks to double radio, it brings high accuracy and reliability.

User interface

Users can check the IoT Permit Card status thanks to the Android or iOS app. The application provides info about the battery status etc.

Enforcement identification

Enforcement can check the IoT Permit presence in a vehicle without visual contact, thanks to the Android or iOS app.

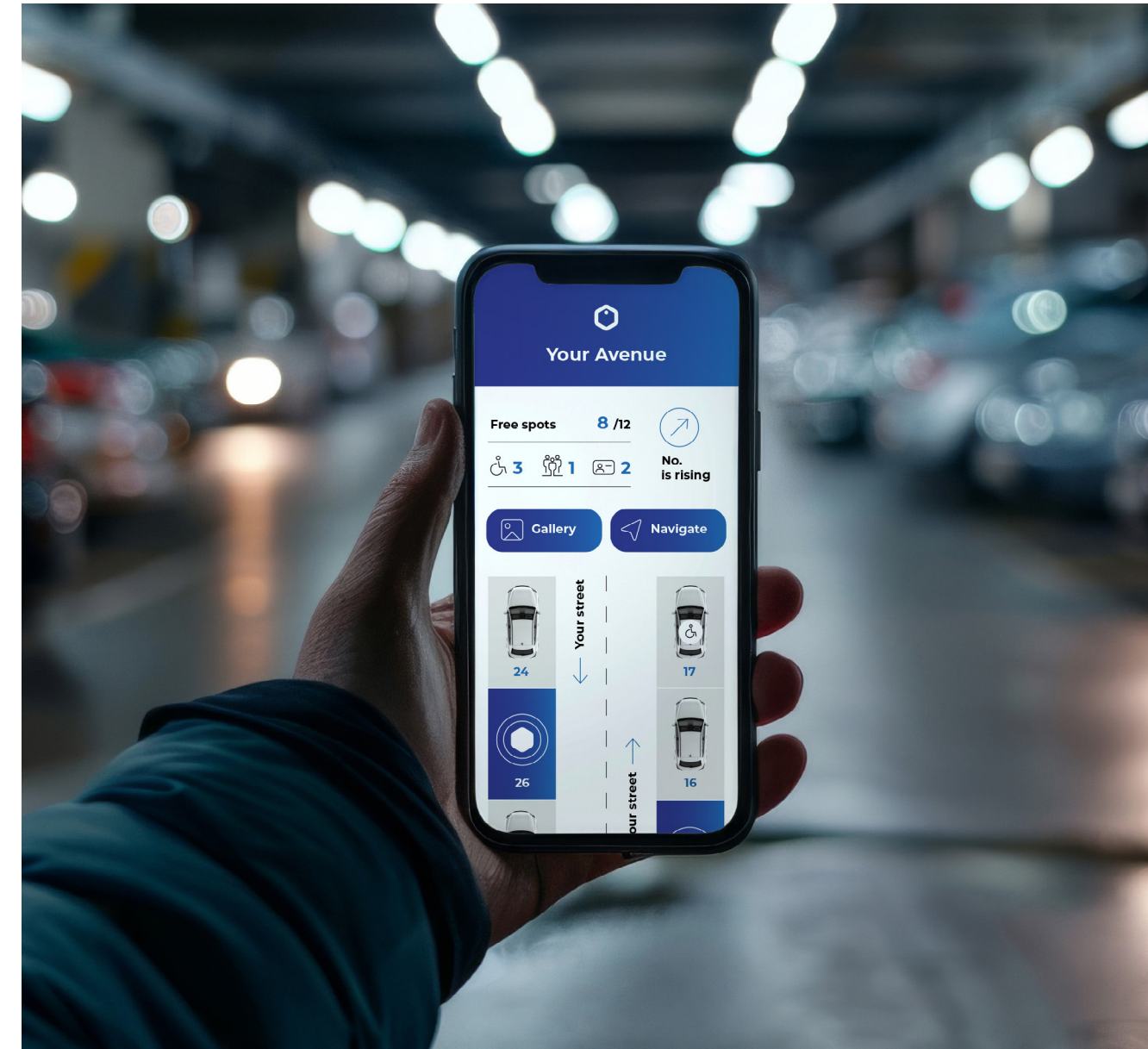


Use cases & applications



Electronic permitting

- Parking for EV
- Parking for disabled
- Company parking
- VIP parking
- Residential parking



Automatic IoT payments



Automatic gates opener

Customizable front side

The casing enables front side branding.



Contact us



+421 905 649 405



info@fleximodo.com



www.fleximodo.com

GOSPACE LABS s. r. o.

SK

Ilkovicova 8 Bratislava, Slovakia

US

251 18th Street, South Suite 650 Arlington, Virginia 22202, United States

