

IoT Parking Sensor

Standard In-ground 2.0



Key differentiators



Electronic permitting

IoT Parking Sensors can be paired with IoT Permit Cards to provide an ID of each parker (authentication).



Data consistency

IoT infrastructure resistant to network outages – metrics are preserved after reconnection (no data loss).



Monitoring & control

Precise monitoring (with AI) of deployed devices, notifications, and seamless remote OTA control (logs, FW updates).



Detection resistance

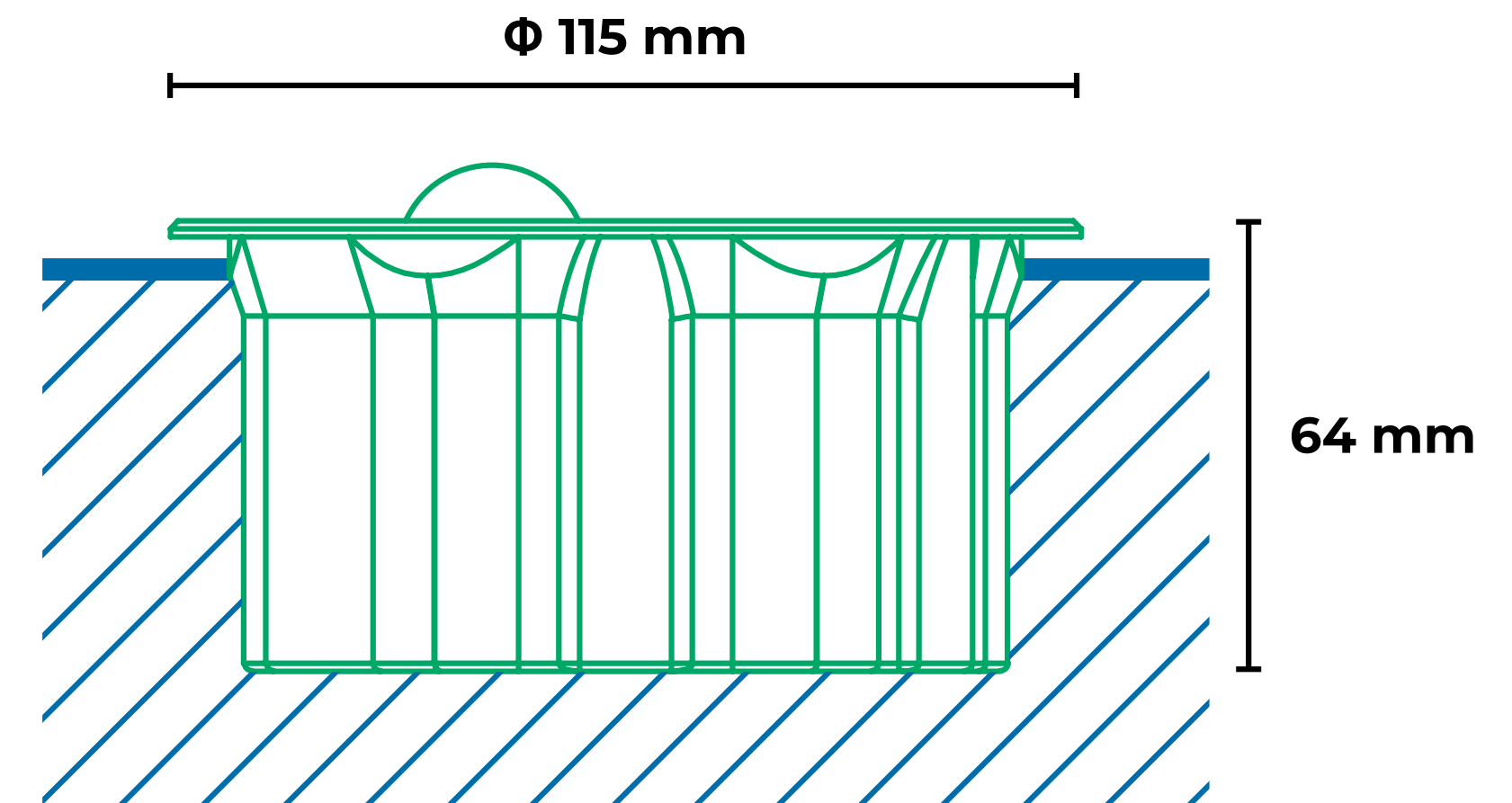
Detection is accurate and reliable despite local interferences or frequent changes (noticing every status change).

IoT Parking Sensor

Standard In-ground 2.0

The IoT Parking Sensor detects and reports the presence or absence of a vehicle on a parking slot and enables parking management.

Detection method	3-axis magnetic field & nanoradar
Weight	390 g
Dimensions	Φ 115 mm, † 64 mm
Casing	Ultrasonically welded into one piece
Ingress protection	IP68
Impact resistance	IK10
Operating temperature	-40 to +75 °C
Power	3.6 V, 19 Ah
Battery life	See calculation on clientzone.fleximodo.com
Network	LoRaWAN, Sigfox, NB-IoT, LTE-M, BLE
Manufacturer certification	ISO 9001, ISO 14001, ISO 45001



Technical specs and features

Combined two-way sensing

Magnetometric and nanoradar with enhanced detection reliability – up to 99 %.

Autocalibration

Based on a robust algorithm for the magnetometer.

Certification validation

Approved by Deutsche Telekom AG & Vodafone.

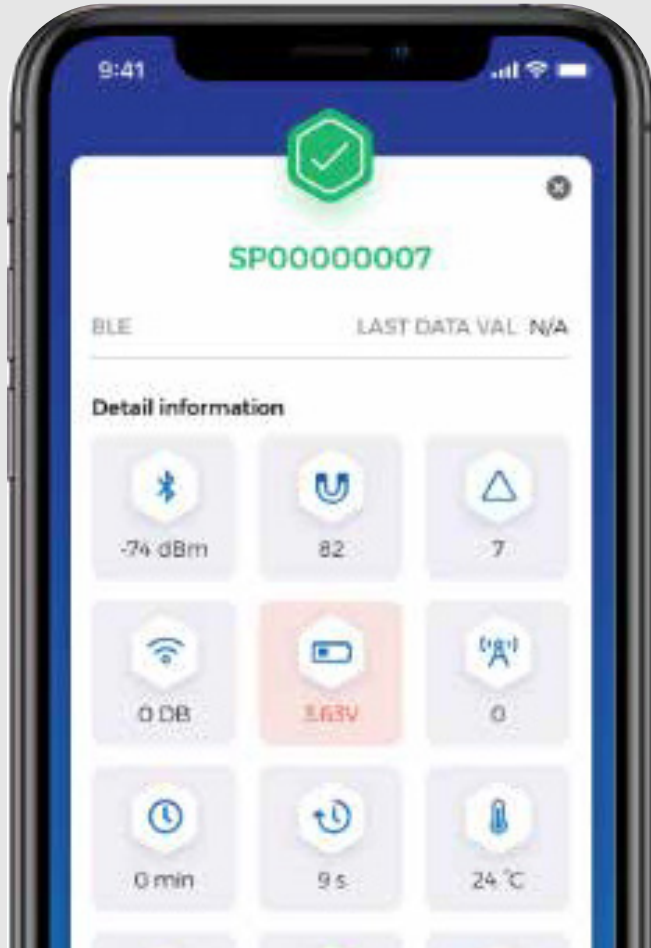
Own antenna design

Optimized for IoT network LoRa.

Data consistency

Resistance to connectivity outage. Data is not lost but is being transmitted after connectivity recovery.

www.fleximodo.com



iOS and Android App
DISPO
Monitoring and diagnostic app in real-time by approaching the sensor with a mobile phone.

ANDROID APP ON
Google play

Available on the
App Store



Casing, quality, and installation

Ultrasonically welded

100% hermetic sealing with IP68 ingress protection.

Minimalistic form factor

Straightforward on-surface installation requiring minimal equipment.

AOI and RTG inspection

Electronic assembly inspected by AOI (automatic optical inspection) and RTG.

Tested and inspected

Operational lifetime of 6 years established through thermal cycling chamber (-30 to +60 °C).



Architecture and security

Fleximodo DOTA

Although not necessary for the functioning of the sensors, this central system management application tracks and controls all sensors deployed.

Advantages of using DOTA

- GIS-based tracking of deployment localities. Monitoring of sensor health and quality of network connectivity.
- Integrated with SHMA Monitoring for transparent overview.
- Firmware and OnBoard Logs transfer capability.
- Analytics, statistics, and future predictions of parking traffic.

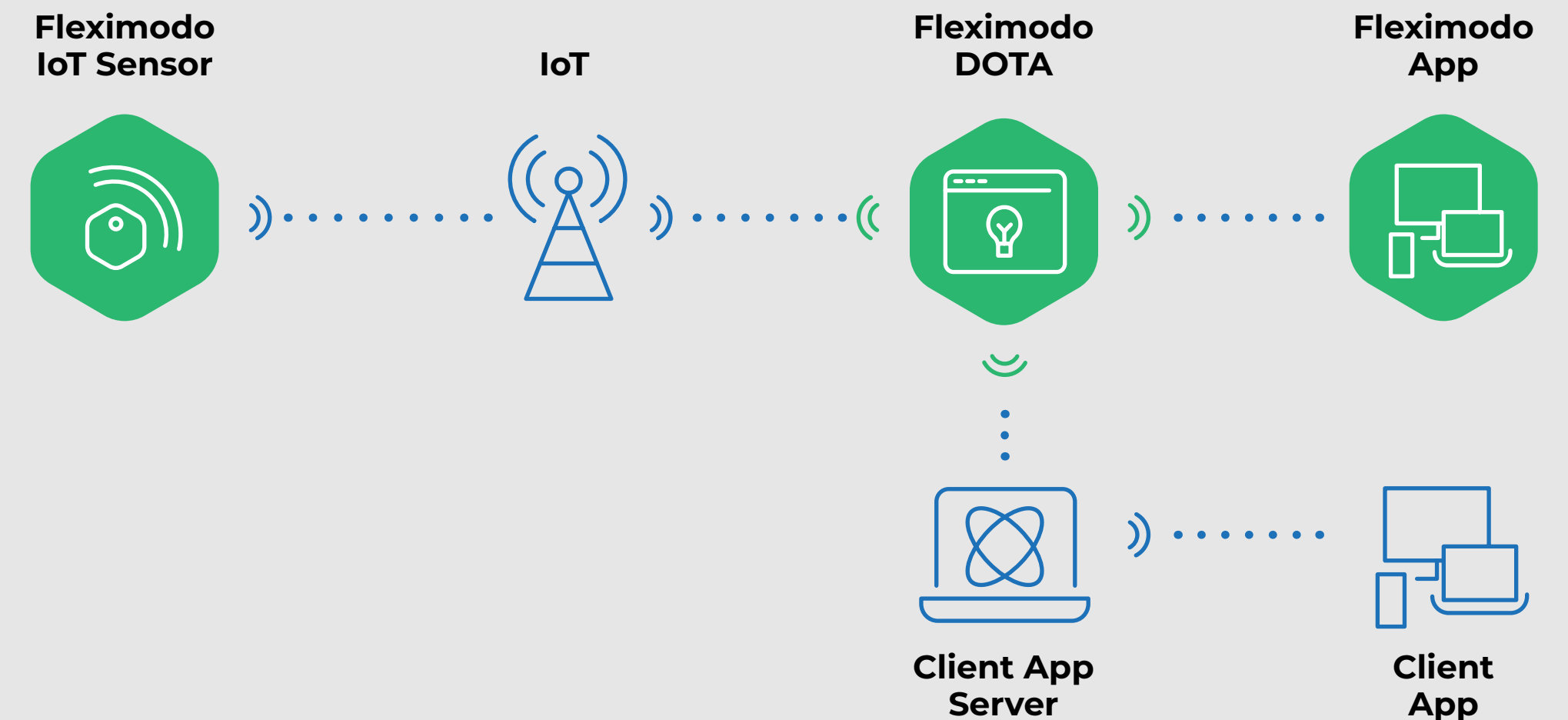


SHMA Monitoring
Sensors overview



Fleximodo DOTA
Sensor detail

Private APN secures IoT connection (sensor – cloud)



Contact us



+421 905 649 405



info@fleximodo.com



www.fleximodo.com

GOSPACE LABS s. r. o.

SK

Ilkovicova 8 Bratislava, Slovakia

US

251 18th Street, South Suite 650 Arlington, Virginia 22202, United States

